



**THIS IS CONFIDENTIAL INFORMATION.
THIS DRAWING AND DESIGN IS THE PROPERTY OF LIQUIP INTERNATIONAL PTY LIMITED.
IT MUST NOT BE COPIED OR REPRODUCED IN ANY WAY WHATSOEVER AND/OR PASSED ON TO
ANY THIRD PARTY WITHOUT WRITTEN AUTHORITY.**

LIQUIP INTERNATIONAL PTY LIMITED - ENGINEERING DEPARTMENT - 13 HUME RD SMITHFIELD SYDNEY NSW AUSTRALIA 2164
PH: +61 2 9725 9000 FAX: +61 2 9609 4739 EMAIL: engineering@liquip-nsw.com.au

LIQUIP MONITOR FOR OVERFILL AND GROUNDING

DATA SHEET

PART N°: PD501 SERIES

- TITLE:** Multi-purpose monitor. Use for 5-wire probe overfill protection: also use for ground assurance: also incorporates a single channel for 2-wire probes for railcar filling: or combination of these.
- PURPOSE:** A single monitor per gantry now provides overfill protection combined with ground assurance to offer lowest capital cost with simple and cheap installation wiring. Compatible with all common probes.
- OPERATION:** Output from the monitor is a single triple-ganged relay signal to provide a go or no-go control for operation of the gantry or tank farm. Indication is by red or green lamp and a lockable by-pass switch is standard. Truck plugs may be standard or optic style. Ground assurance connector may be via truck plug, or ground ball socket, or 'crocodile' clamp.
- SPECIFICATION:** Explosion proof housing for Class 1 Zone 1, monitoring signals intrinsically safe Class 1 Zone 0. Power supply 240v AC or 110v AC. Output (control) relay triple-ganged for reliability, normally open, volt-free rated at 5 amp 240v (if power output is required, contact Liquip). Lockable by-pass switch to enable loading in emergency. Cable entries 3/4" NPS, adaptors to 25mm conduit thread available. Shutdown response time 0.5 seconds for all fault conditions. All model variants are factory set and tested, however site changes are easily carried out as it is controlled by wiring changes on output terminal strip. Therefore only one monitor design is required throughout the terminal and tank farm. SAA approved to Exd (ia) IIB T6 IP65. Approval Number 3385X.
- VARIANTS:** Simple linkages provide the following variations of the same monitor:
5-wire probe overfill monitor
2-wire probe overfill monitor single channel
Ground assurance monitor with crocodile clamp
Overfill monitor with ground assurance wired through truck plug
Overfill monitor with separate cable (clamp or ball type) for ground assurance
All the above in 110v AC or 240v AC power supply
- MOUNTING:** See attached diagram.
- SERVICE:** Self-calibrating, no adjustments required. One solid-state board with plug-connector for quick site change-over.
- MATERIAL OF CONSTRUCTION:** Aluminium housing. Explosion proof polycarbonate lights and switch.
- WEIGHT:** 8 kg.
- ASSOCIATED EQUIPMENT:** See data sheet for accessories for monitors. Includes junction box for intrinsically safe cabling. Optic and standard gantry plugs and self-store cable. Crocodile clamp and self-store cable for grounding. Ball socket and self-store cable for grounding.

Overall dimensions shown on the drawing overleaf.

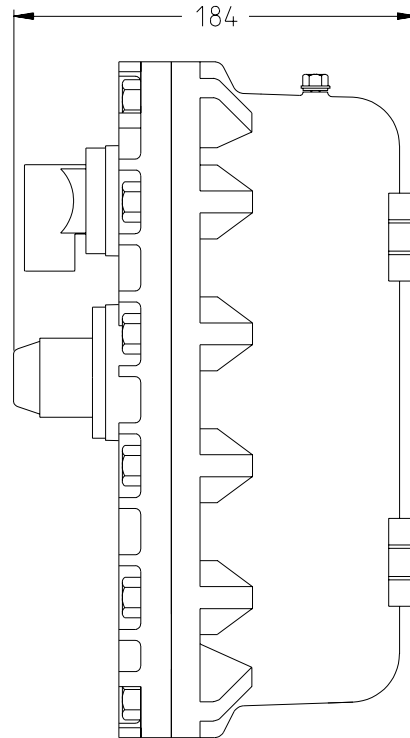
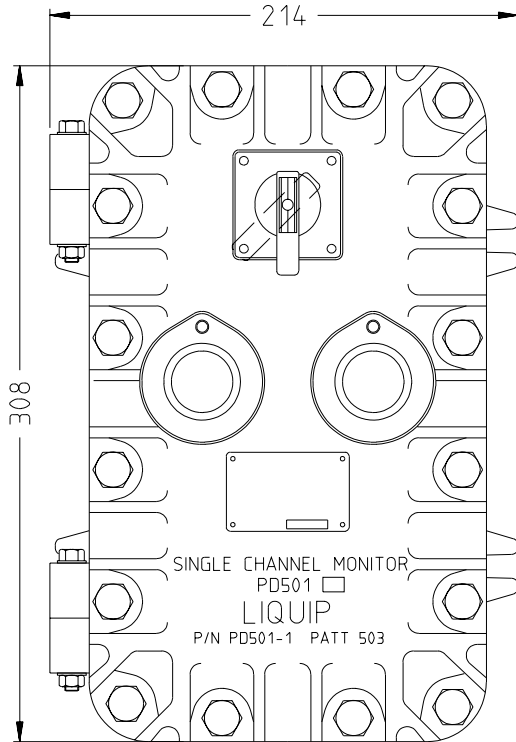


THIS IS CONFIDENTIAL INFORMATION.
THIS DRAWING AND DESIGN IS THE PROPERTY OF LIQUIP INTERNATIONAL PTY LIMITED.
IT MUST NOT BE COPIED OR REPRODUCED IN ANY WAY WHATSOEVER AND/OR PASSED ON TO
ANY THIRD PARTY WITHOUT WRITTEN AUTHORITY.

LIQUIP INTERNATIONAL PTY LIMITED - ENGINEERING DEPARTMENT - 13 HUME RD SMITHFIELD SYDNEY NSW AUSTRALIA 2164
 PH: +61 2 9725 9000 FAX: +61 2 9609 4739 EMAIL: engineering@liquip-nsw.com.au

LIQUIP

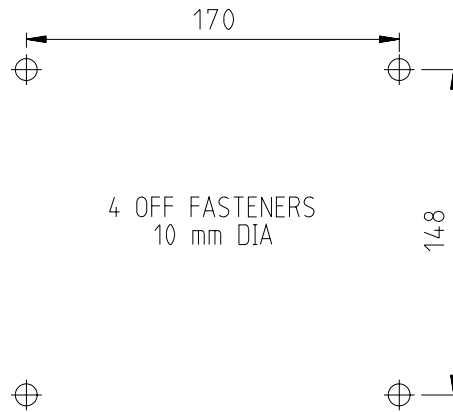
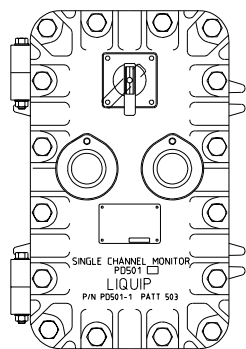
PD501 SERIES



ELEVATION

END ELEVATION

240V/110V AC POWER SUPPLY ↓ ↑ TO OUTPUT RELAY



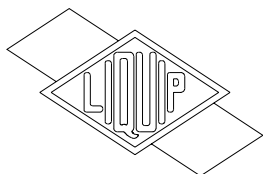
NOTE:
ALL PORTS
3/4" NPS

↓ INTRINSICALLY SAFE
SIGNAL TO TRUCK PLUG

X952296

Issue: C

METERS - VALVES - VENTS - MANHOLES - PUMPS - HOSEREELS - OVERFILL PROTECTION - LOADING ARMS - ELECTRONIC DIPSTICKS



LIQUIP INTERNATIONAL PTY LTD

13 Hume Road
 Smithfield, Sydney
 NSW Australia 2164
 Phone: +61 2 9725 9000
 Fax: +61 2 9725 1252

DISTRIBUTORS

See inside front cover
 for Liquip branches
 and Distributors or visit

www.liquip.com

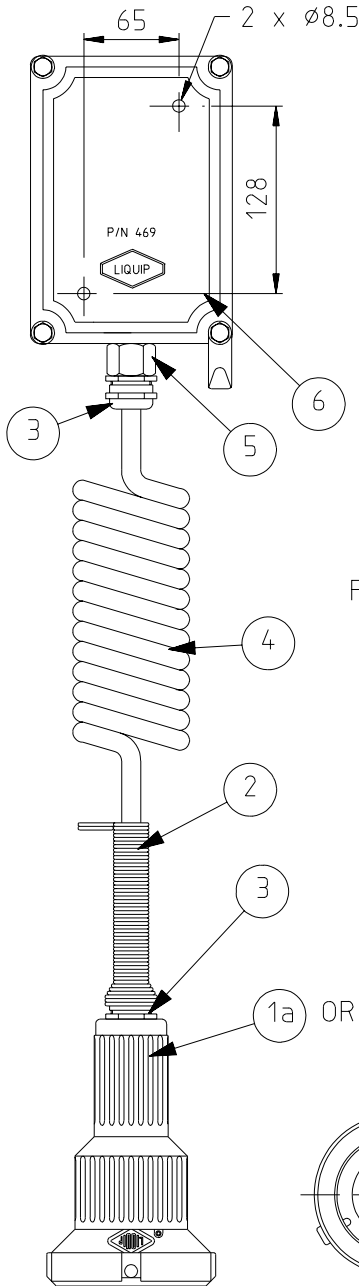


THIS IS CONFIDENTIAL INFORMATION.
THIS DRAWING AND DESIGN IS THE PROPERTY OF LIQUIP INTERNATIONAL PTY LIMITED.
IT MUST NOT BE COPIED OR REPRODUCED IN ANY WAY WHATSOEVER AND/OR PASSED ON TO
ANY THIRD PARTY WITHOUT WRITTEN AUTHORITY.

LIQUIP INTERNATIONAL PTY LIMITED - ENGINEERING DEPARTMENT - 13 HUME RD SMITHFIELD SYDNEY NSW AUSTRALIA 2164
 PH: +61 2 9725 9000 FAX: +61 2 9609 4739 EMAIL: engineering@liquip-nsw.com.au

LIQUIP

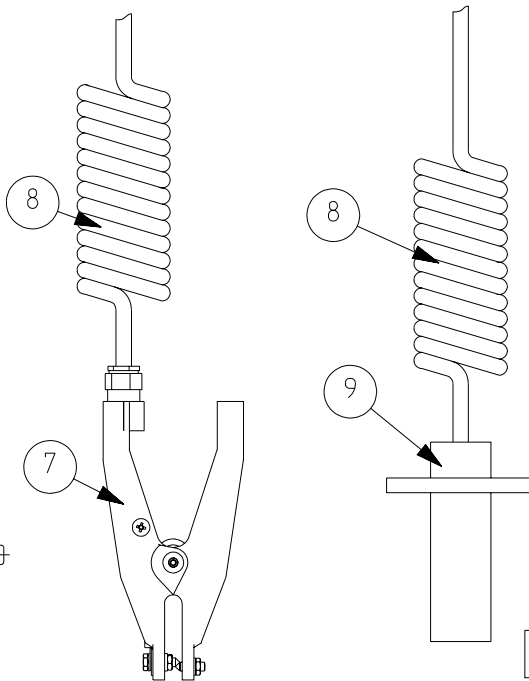
PD501 ACCESSORIES



ITEM	PART NO	DESCRIPTION	MATERIAL
1a	GP103-3	PLUG BODY SUB-ASSEMBLY 3 PIN	POLYURETHANE
1b	GP104-4	PLUG BODY SUB-ASSEMBLY 4 PIN	POLYURETHANE
2	4477	SPRING	ST STEEL
3	6885	CABLE GLAND	N/P BRASS
4	5115	CABLE - SELF STORE	ELECTRICAL
5	7191	ADAPTOR	BRASS
6	JB100	JUNCTION BOX ASSEMBLY	ALUMINIUM
7	EAC201	EARTH ASSURANCE CLAMP SUB-ASSEMBLY	ALUMINIUM
8	5067	CABLE - SELF STORE	ELECTRICAL
9	N/A	GROUND BALL PLUG	ST STEEL

GP103 (ITEMS 1a,2,3 & 4) USED FOR 5 WIRE PROBES
 GP104 (ITEMS 1b,2,3 & 4) USED FOR 2 WIRE PROBES
 JUNCTION BOX (ITEMS 5 & 6) ARE OPTIONAL
 EAC201 (ITEMS 7 & 8) USED FOR GROUND ASSURANCE
 GBP100 (ITEMS 8 & 9) USED FOR GROUND ASSURANCE
 WITH SCULLY GROUND BALL

FOR WIRING DIAGRAMS SEE PD501 INSTALLATION MANUAL

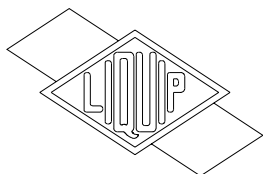


GP104 SHOWN
 (FOR GP103 SEE PARTS LIST)

X950097

Issue: G

METERS - VALVES - VENTS - MANHOLES - PUMPS - HOSEREELS - OVERFILL PROTECTION - LOADING ARMS - ELECTRONIC DIPSTICKS



LIQUIP INTERNATIONAL PTY LTD

13 Hume Road
 Smithfield, Sydney
 NSW Australia 2164
 Phone: +61 2 9725 9000
 Fax: +61 2 9725 1252

DISTRIBUTORS

See inside front cover
 for Liquip branches
 and Distributors or visit

www.liquip.com