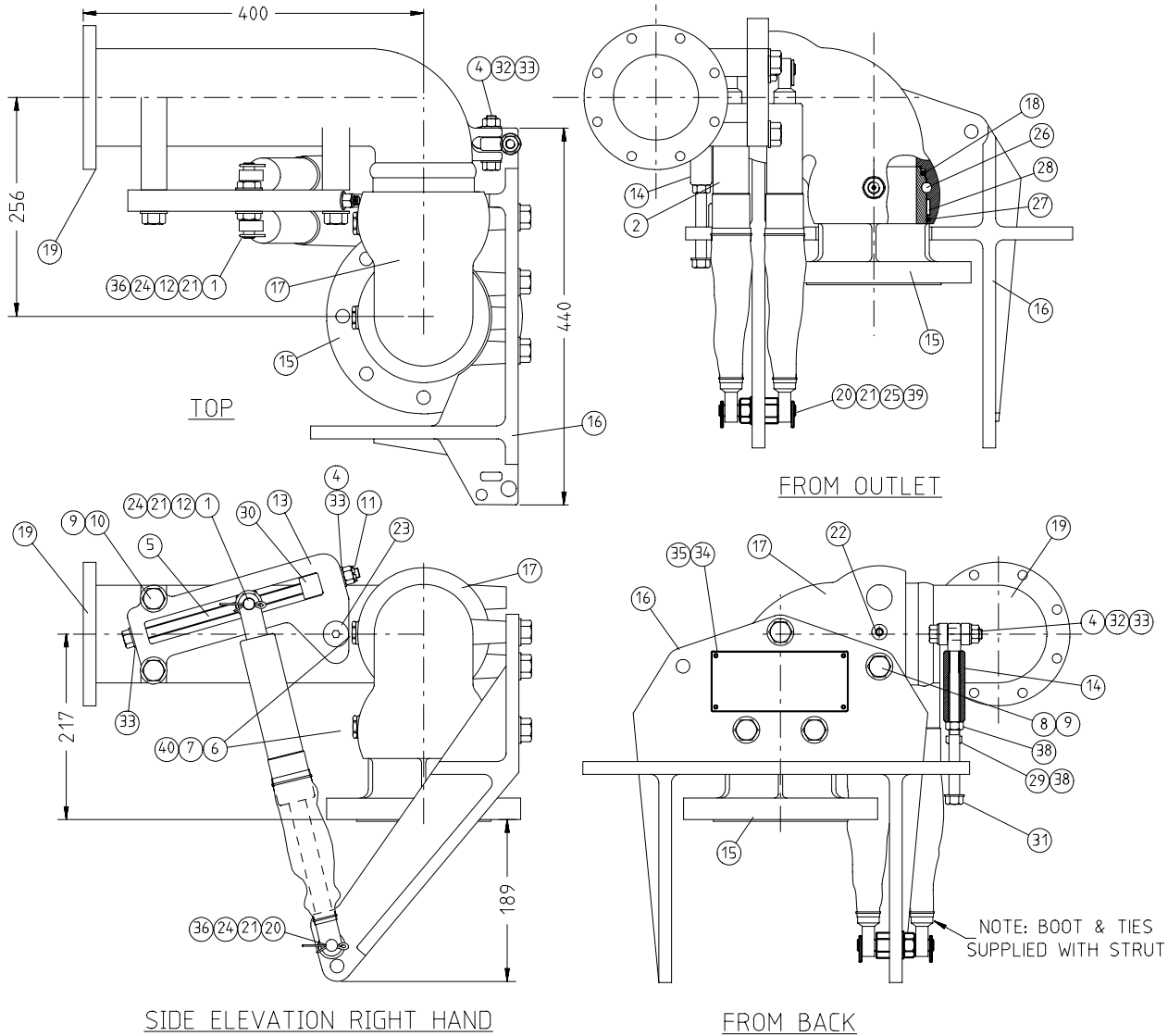


LIQUIP

VNB-14 MK2 BALANCE ASSEMBLY



ITEM	PART NO	DESCRIPTION	MATERIAL	QTY	ITEM	PART NO	DESCRIPTION	MATERIAL	QTY
1	LAN400-12	PIVOT GAS SPRING ADJUSTER TOP	ST STEEL	1	21	4871	SPLIT PIN	ST STEEL	4
*2	4416	SPRING GAS (2800N) C/W BLACK LEATHER BOOT	STEEL	NOTE 1	22	1525	VALVE RELIEF	BRASS	2
	3008	SPRING GAS (5200N) C/W GREEN LEATHER BOOT	STEEL	NOTE 1	23	4825	COUNTERSUNK BOLT	Z/P HT STL	1
3					24	LA400-20	WASHER SPECIAL	Z/P M/S	3
4	0152	NUT NYLOC	Z/P M/S	2	25	0848	NUT NYLOC	STEEL	1
5	LAN400-23	BOLT ADJUSTER	Z/P M/S	1	26	2334	BALL BEARING	STEEL	64
6	0481	NIPPLE GREASE STRAIGHT	Z/P M/S	2	27	6080	*O* RING	VITON B70	2
7	LAN400-9	PLUG BALL RETAINING	BRASS	2	28	4531	ROLLER HARDENED	STEEL	200
8	4805	BOLT	Z/P M/S	4	29	4828	SETScrew	Z/P M/S	1
9	0112	WASHER SPRING	Z/P M/S	6	30	LAN400-24	ADJUSTMENT LIMITER	PLASTIC	1
10	4803	BOLT	Z/P M/S	2	31	LAN400-18	BOLT SPECIAL	ST STEEL	1
11	0907	SELOX PIN	Z/P M/S	1	32	0081	BOLT	Z/P M/S	1
12	4386	NUT HALF	Z/P M/S	2	33	0104	WASHER FLAT	Z/P M/S	4
13	LAN400-5	BRACKET ADJUSTING	Z/P M/S	1	34	4711	NAMEPLATE	ALUMINIUM	1
14	LAN400-19	ADJUSTMENT BLOCK OVERRUN	SG IRON	1	35	0005	RIVET	ALUMINIUM	4
15	LAN400-1	MALE STRAIGHT TO ASA 150	STEEL	1	36	4359	WASHER FLAT	Z/P M/S	4
16	LAN400-21	BRACKET DROP LEG SUPPORT	SG IRON	1	37	5736	INSTRUCTIONS - ADJUSTING LIMITS	-	1
17	LAN400-2	ELBOW FEMALE FEMALE	STEEL	1	38	0132	NUT	Z/P M/S	2
*18	0126	*O* RING	VITON B70	2	39	0105	WASHER FLAT	Z/P M/S	1
	4641	SEAL SPRING LOADED TEFLON	TEFLON	2	40	0885	WASHER FIBRE	FIBRE	2
19	LAN400-3	ELBOW 90° EXTENDED	SG IRON	1					
20	LAN400-11	PIVOT SUPPORT GAS SPRING BOTTOM	Z/P M/S	1					

NOTES:

- 1- ALL LOADING ARMS ARE INDIVIDUALLY DESIGNED. GAS STRUT STRENGTH DEPENDS ON ARM LENGTH, ARM MATERIAL AND CONTENTS. eg. LIQUID OR VAPOUR.
- 2- 0126 VITON SEAL STANDARD, 4641 SPRING LOADED TEFLON AVAILABLE.
- 3- SPECIAL SEALS AVAILABLE FOR SOME PRODUCTS (eg ETHANOL) - CONTACT LIQUIP FOR MORE INFORMATION

X1250801

Issue: E